

AXI UART Lite v2.0

LogiCORE IP Product Guide

Vivado Design Suite

PG142 April 5, 2017

Table of Contents

IP Facts

Chapter 1: Overview

Feature Summary	6
Licensing and Ordering Information	6

Chapter 2: Product Specification

Performance	7
Resource Utilization	8
Port Descriptions	8
Register Space	9

Chapter 3: Designing with the Core

Clocking	13
Resets	13
Programming Sequence	13

Chapter 4: Design Flow Steps

Customizing and Generating the Core	14
Constraining the Core	16
Simulation	17
Synthesis and Implementation	17

Chapter 5: Example Design

Overview	18
Implementing the Example Design	19
Example Design Directory Structure	19
Simulating the Example Design	20

Chapter 6: Test Bench

Appendix A: Migrating and Upgrading

Migrating to the Vivado Design Suite	22
Upgrading in the Vivado Design Suite	22

Appendix B: Debugging

Finding Help on Xilinx.com	23
Vivado Design Suite Debug Feature	24
Hardware Debug	24

Appendix C: Additional Resources and Legal Notices

Xilinx Resources	25
References	25
Revision History	26
Please Read: Important Legal Notices	26

Introduction

The LogiCORE™ IP AXI Universal Asynchronous Receiver Transmitter (UART) Lite core provides between UART signals and the Advanced Microcontroller Bus Architecture (AMBA®) AXI interface and also provides a controller interface for asynchronous serial data transfer. This soft LogiCORE™ IP core is designed to interface with the AXI4-Lite protocol.

Features

- AXI4-Lite interface for register access and data transfers
- Full duplex
- 16-character transmit and receive FIFOs
- Configurable number of data bits (5-8) in a character
- Configurable parity bit (odd or even or none)
- Configurable baud rate

LogiCORE IP Facts Table	
Core Specifics	
Supported Device Family ⁽¹⁾	UltraScale+™ Families, UltraScale™ Architecture, Zynq®-7000, 7 Series ⁽²⁾
Supported User Interfaces	AXI4-Lite
Resources	See Table 2-2 .
Provided with Core	
Design Files	VHDL
Example Design	VHDL
Test Bench	VHDL
Constraints File	XDC
Simulation Model	Not Provided
Supported S/W Driver ⁽³⁾	Standalone and Linux
Tested Design Flows⁽⁴⁾	
Design Entry	Vivado® Design Suite
Simulation	For supported simulators, see the Xilinx Design Tools: Release Notes Guide .
Synthesis	Vivado Synthesis
Support	
Provided by Xilinx at the Xilinx Support web page	

Notes:

1. For a complete list of supported devices, see the Vivado IP catalog.
2. For more information, see, *7 Series FPGAs Overview* ([DS180](#)).
3. Standalone driver details can be found in the SDK directory (<install_directory>/SDK/<release>/data/embeddedsw/doc/xilinx_drivers.htm). Linux OS and driver support information is available from the [Xilinx Wiki page](#).
4. For the supported versions of the tools, see the [Xilinx Design Tools: Release Notes Guide](#).

Overview

The AXI UART Lite modules are shown in [Figure 1-1](#) and described in the sections that follow.

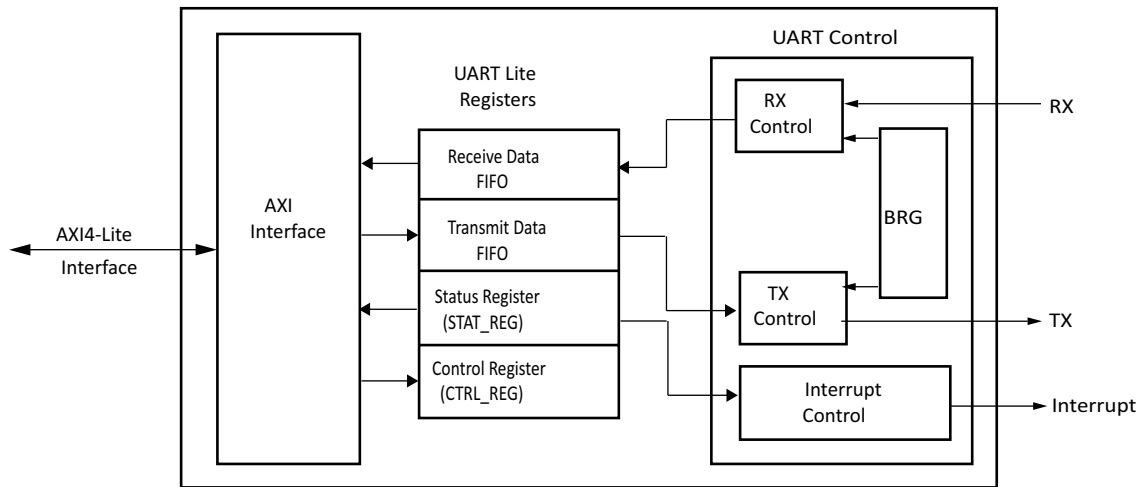


Figure 1-1: Block Diagram of AXI UART Lite

- **AXI Interface:** This block implements the AXI4-Lite slave interface for register access and data transfer.
- **UART Lite Registers:** This block includes memory mapped registers (as shown in [Figure 1-1](#)). It consists of a control register, a status register, and a pair of transmit/receive FIFOs, both of 16-character depth.
- **UART Control:** This block consists of
 - Rx Control - This block samples received data with respect to generated baud rate and writes it to Receive Data FIFO.
 - Tx Control - This block reads data from Transmit Data FIFO and sends it out on the UART Tx interface.
 - BRG (Baud Rate Generator) - This block generates various baud rates when programmed by you
 - Interrupt Control - The AXI UART Lite core provides interrupt enable/disable control. If interrupts are enabled, a rising-edge sensitive interrupt is generated when the receive FIFO becomes non-empty or when the transmit FIFO becomes empty.

Feature Summary

The AXI UART Lite has the following features:

- Performs parallel-to-serial conversion on characters received through the AXI4-Lite interface and serial-to-parallel conversion on characters received from a serial peripheral.
- Transmits and receives 8, 7, 6, or 5-bit characters, with one stop bit and with odd, even, or no parity bit. The AXI UART Lite can transmit and receive independently.
- Generates a rising-edge sensitive interrupt when the receive FIFO becomes non-empty or when the transmit FIFO becomes empty. This interrupt can be masked by using an interrupt enable/disable signal. The device contains a baud rate generator and independent 16-character deep transmit and receive FIFOs.

Licensing and Ordering Information

This Xilinx® LogiCORE™ IP module is provided at no additional cost with the Xilinx Vivado® Design Suite under the terms of the [Xilinx End User License](#).

Information about this and other Xilinx LogiCORE IP modules is available at the [Xilinx Intellectual Property](#) page. For information on pricing and availability of other Xilinx LogiCORE IP modules and tools, contact your [local Xilinx sales representative](#).

Product Specification

Performance

The AXI UART Lite core is characterized as per the benchmarking methodology described in the *Vivado Design Suite User Guide: Designing with IP* (UG896) [Ref 6]. Table 2-1 shows the results of the characterization runs. Maximum frequencies achieved for various devices and speed grades based on the F_{MAX} margin system are also shown in Table 2-1.

Note: Frequency data for UltraScale architecture-based devices and Zynq®-7000 devices are expected to be similar to 7 series device numbers.

Table 2-1: Maximum Frequencies

Family	Speed Grade	F_{MAX} (MHz) for AXI4-Lite
Virtex-7	-1	180
Kintex-7		180
Artix-7		120
Virtex-7	-2	200
Kintex-7		200
Artix-7		140
Virtex-7	-3	220
Kintex-7		220
Artix-7		160

Resource Utilization

The AXI UART Lite resource utilization for various parameter combinations measured with a 7 series device.

Note: Resource numbers for UltraScale architecture-based devices and Zynq devices are expected to be similar to 7 series device numbers.

Table 2-2: Device Utilization

Parameter Values (other parameters at default value)			Device Resources		
Baud Rate	Data Bits	Parity	Slices	Slice Flip-Flops	LUTs
19200	5	0	41	77	100
19200	6	0	46	84	110
19200	7	1	59	84	114
9600	8	0	49	79	119
38400	8	0	44	77	107
19200	6	0	46	84	110
19200	7	1	59	84	114

Port Descriptions

The AXI UART Lite I/O signals are listed and described in [Table 2-3](#).

Table 2-3: I/O Signal Descriptions

Signal Name	Interface	I/O	Initial State	Description
System Signals				
s_axi_aclk	System	I	-	AXI clock.
s_axi_aresetn	System	I	-	AXI reset, active-Low.
interrupt	System	O	O	Edge rising UART interrupt.
AXI Channel Signals				
s_axi_*	S_AXI	-	-	See the <i>AXI Reference Guide</i> (UG761) [Ref 4] for a description of AXI4 Signals.
UART Lite Interface Signals				

Table 2-3: I/O Signal Descriptions (Cont'd)

Signal Name	Interface	I/O	Initial State	Description
rx	UART Lite	I	-	Receive data
tx	UART Lite	O	0x1	Transmit data

- The AXI UART Lite core generates SLVERR when one of the following conditions is true:
 - A read request is issued to an empty receive data FIFO.
 - A write request is issued when the transmit data FIFO is full.
 For all other requests, OKAY response is passed. The AXI UART Lite never generates DECERR.

Register Space

Table 2-4 shows all the AXI UART Lite registers and their addresses.

Note: The AXI4-Lite write access register is updated by the 32-bit AXI Write Data (*_wdata) signal, and is not impacted by the AXI Write Data Strobe (*_wstrb) signal. For write access, both the AXI Write Address Valid (*_awvalid) and AXI Write Data Valid (*_wvalid) signals should be asserted together.

Table 2-4: Register Address Map

Address Offset	Register Name	Description
0h	Rx FIFO	Receive data FIFO
04h	Tx FIFO	Transmit data FIFO
08h	STAT_REG	UART Lite status register
0Ch	CTRL_REG	UART Lite control register

RX FIFO

This 16-entry-deep FIFO contains data received by the AXI UART Lite core. The FIFO bit definitions are shown in Table 2-5. When a read request is issued to an empty FIFO, a bus error (SLVERR) is generated and the result is undefined. The RX FIFO is a read-only register. Issuing a write request to this register has no effect. Figure 2-1 shows the location for data on the AXI interface when Data Bits is set to 8 in the XGUI.

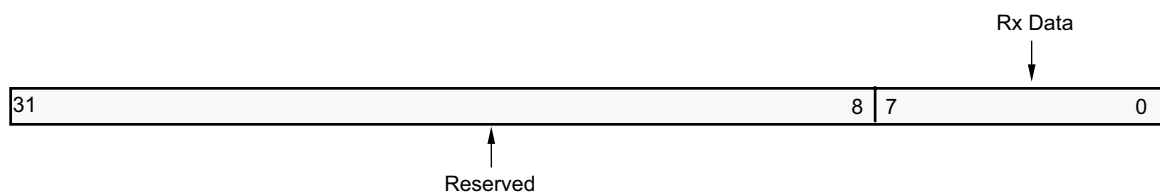


Figure 2-1: Rx FIFO (Data Bits = 8)

Table 2-5: Receive Data FIFO Bit Definitions

Bits	Name	Access	Reset Value	Description
31-Data Bits	Reserved	N/A	0h	Reserved
[Data Bits-1] - 0	Rx Data	Read	0h	UART receive data

TX FIFO

This 16-entry-deep FIFO contains data to be output by the AXI UART Lite core. The FIFO bit definitions are shown in Figure 2-2. Data to be transmitted is written into this register. When a write request is issued while the FIFO is full, a bus error (SLVERR) is generated and the data is not written into the FIFO. This is a write-only location. Issuing a read request to the transmit data FIFO generates the read acknowledgement with zero data. Table 2-6 shows the location for data on the AXI interface when Data Bits is set to 8 in the XGUI.

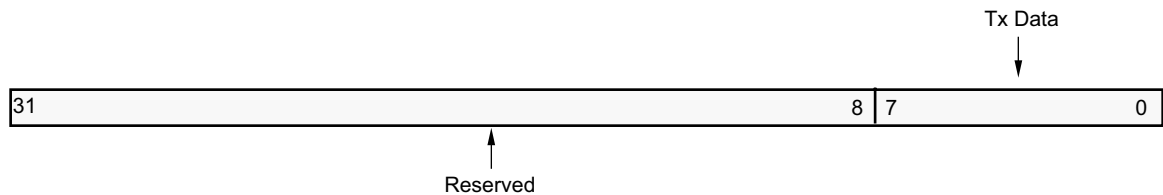


Figure 2-2: Transmit Data FIFO (Data Bits = 8)

Table 2-6: Transmit Data FIFO Bit Definitions

Bits	Name	Access	Reset Value	Description
31-Data Bits	Reserved	N/A	0h	Reserved
[Data Bits-1] - 0	Tx Data	Write	0h	UART transmit data

Control Register (CTRL_REG)

The control register contains the enable interrupt bit and reset pin for the receive and transmit data FIFO. This is a write-only register. Issuing a read request to the control register generates the read acknowledgement with zero data. Figure 2-3 shows the bit assignment of CTRL_REG. Table 2-7 describes this bit assignment.

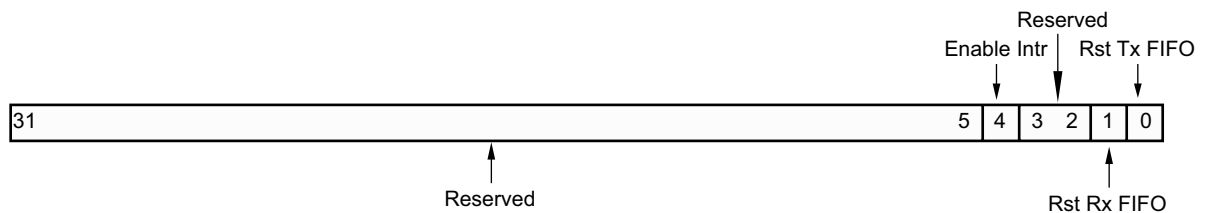


Figure 2-3: Control Register

Table 2-7: Control Register Bit Definitions

Bits	Name	Access	Reset Value	Description
31–5	Reserved	N/A	0h	Reserved
4	Enable Intr	Write	0h	Enable interrupt for the AXI UART Lite 0 = Disable interrupt signal 1 = Enable interrupt signal
3–2	Reserved	N/A	0h	Reserved
1	Rst Rx FIFO	Write	0h	Reset/clear the receive FIFO Writing a 1 to this bit position clears the receive FIFO 0 = Do nothing 1 = Clear the receive FIFO
0	Rst Tx FIFO	Write	0h	Reset/clear the transmit FIFO Writing a 1 to this bit position clears the transmit FIFO 0 = Do nothing 1 = Clear the transmit FIFO

Status Register (STAT_REG)

The status register contains the status of the receive and transmit data FIFOs when interrupts are enabled and errors are present. This is a read-only register. A write to this register has no effect. Bit assignment in the STAT_REG is shown in Figure 2-4 and described in Table 2-8.

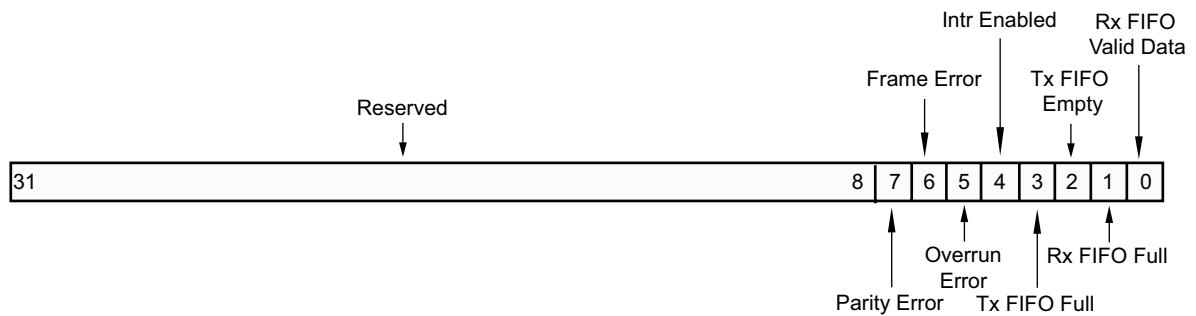


Figure 2-4: Status Register

Table 2-8: Status Register Bit Definitions

Bits	Name	Access	Reset Value	Description
31 - 8	Reserved	N/A	0h	Reserved
7	Parity Error	Read	0h	Indicates that a parity error has occurred after the last time the status register was read. If the UART is configured without any parity handling, this bit is always 0. The received character is written into the receive FIFO. This bit is cleared when the status register is read. 0 = No parity error has occurred 1 = Parity error has occurred
6	Frame Error	Read	0h	Indicates that a frame error has occurred after the last time the status register was read. Frame error is defined as detection of a stop bit with the value 0. The receive character is ignored and not written to the receive FIFO. This bit is cleared when the status register is read. 0 = No frame error has occurred 1 = Frame error has occurred
5	Overrun Error	Read	0h	Indicates that an overrun error has occurred after the last time the status register was read. Overrun is when a new character has been received but the receive FIFO is full. The received character is ignored and not written into the receive FIFO. This bit is cleared when the status register is read. 0 = No overrun error has occurred 1 = Overrun error has occurred
4	Intr Enabled	Read	0h	Indicates that interrupts is enabled. 0 = Interrupt is disabled 1 = Interrupt is enabled
3	Tx FIFO Full	Read	0h	Indicates if the transmit FIFO is full. 0 = Transmit FIFO is not full 1 = Transmit FIFO is full
2	Tx FIFO Empty	Read	01h	Indicates if the transmit FIFO is empty. 0 = Transmit FIFO is not empty 1 = Transmit FIFO is empty
1	Rx FIFO Full	Read	0h	Indicates if the receive FIFO is full. 0 = Receive FIFO is not full 1 = Receive FIFO is full
0	Rx FIFO Valid Data	Read	0h	Indicates if the receive FIFO has data. 0 = Receive FIFO is empty 1 = Receive FIFO has data

Designing with the Core

This chapter includes guidelines and additional information to facilitate designing with the core.

Clocking

The AXI UART Lite core operates on `s_axi_aclk`.

Resets

The AXI UART Lite core resets when the `s_axi_aresetn` signal is asserted. This is an active-Low reset synchronous to `s_axi_aclk`.

Programming Sequence

Program `CTRL_REG` to enable interrupt if required. Data can be sent over the UART interface by writing to the TX FIFO. Similarly, UART data can be read by reading the RX FIFO when it is not empty.

Design Flow Steps

This chapter describes customizing and generating the core, constraining the core, and the simulation, synthesis and implementation steps that are specific to this IP core. More detailed information about the standard Vivado® design flows and the IP integrator can be found in the following Vivado Design Suite user guides:

- *Vivado Design Suite User Guide: Designing IP Subsystems using IP Integrator* (UG994) [\[Ref 5\]](#)
- *Vivado Design Suite User Guide: Designing with IP* (UG896) [\[Ref 6\]](#)
- *Vivado Design Suite User Guide: Getting Started* (UG910) [\[Ref 7\]](#)
- *Vivado Design Suite User Guide: Logic Simulation* (UG900) [\[Ref 9\]](#)

Customizing and Generating the Core

This chapter includes information about using Xilinx tools to customize and generate the core in the Vivado Design Suite.

Vivado Integrated Design Environment

You can customize the IP for use in your design by specifying values for the various parameters associated with the IP core using the following steps:

1. Select the IP from the IP catalog.
2. Double-click the selected IP or select the Customize IP command from the toolbar or right-click menu .

For details, the *Vivado Design Suite User Guide: Designing with IP* (UG896) [\[Ref 6\]](#) and the *Vivado Design Suite User Guide: Getting Started* (UG910) [\[Ref 7\]](#).

Note: Figures in this chapter are illustrations of the Vivado Integrated Design Environment (IDE). This layout might vary from the current version.

If you are customizing and generating the core in the Vivado IP Integrator, see the *Vivado Design Suite User Guide: Designing IP Subsystems using IP Integrator* (UG994) [\[Ref 5\]](#) for detailed information. IP Integrator might auto-compute certain configuration values when validating or generating the design. To check whether the values do change, see the

description of the parameter in this chapter. To view the parameter value you can run the `validate_bd_design` command in the tcl console.

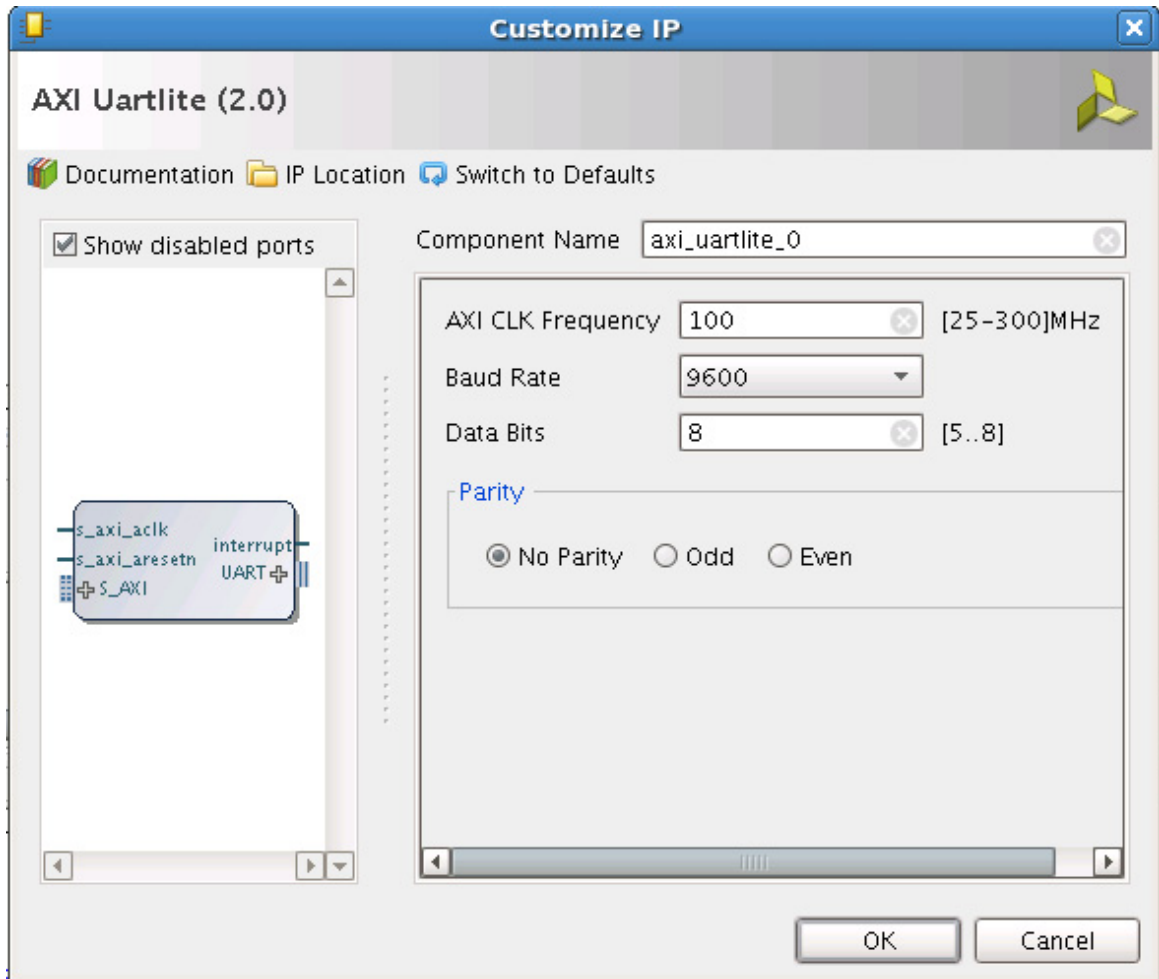


Figure 4-1: Vivado IDE

- **AXI CLK Frequency.** System clock frequency (in MHz) driving the AXI UART Lite peripheral.
Note: The AXI CLK Frequency parameter is pre-determined when using IP Integrator.
- **Baud Rate.** Baud rate of the AXI UART Lite core in bits per second. The core supports the following rates:

110	2400	19,200	115,200	460,800
300	4800	38,400	128,000	921,600
1200	9600	57,600	230,400	

Note: The GUI factors in the tolerance allows only valid baud rate values to be set, based on the AXI clock frequency.

- **Data Bits.** The number of data bits in the serial frame. The core supports bits 5, 6, 7, and 8.
- **Parity.** Determines whether parity is used or not. If used whether parity is odd or even.

Output Generation

For details, see the *Vivado Design Suite User Guide: Designing with IP* (UG896) [Ref 6].

Constraining the Core

Since this core has external pins, it is recommended that you add the required input/output delay constraints, based on the board delays.

An example of such constraints is as follows:

```
set_input_delay -clock clk_port -max 2 [get_ports rs232_uart_rxd]
set_input_delay -clock clk_port -min 1 [get_ports rs232_uart_rxd]
set_output_delay -clock clk_port -max 2 [get_ports rs232_uart_txd]
set_output_delay -clock clk_port -min 1 [get_ports rs232_uart_txd]
```

The minimum and maximum values are to be determined based on the board delays.

Required Constraints

This section is not applicable for this IP core.

Device, Package, and Speed Grade Selections

This section is not applicable for this IP core.

Clock Frequencies

This section is not applicable for this IP core.

Clock Management

This section is not applicable for this IP core.

Clock Placement

This section is not applicable for this IP core.

Banking

This section is not applicable for this IP core.

Transceiver Placement

This section is not applicable for this IP core.

I/O Standard and Placement

This section is not applicable for this IP core.

Simulation

For simulation details, see the *Vivado Design Suite User Guide: Logic Simulation* (UG900) [Ref 7].

Synthesis and Implementation

For details about synthesis and implementation, see the *Vivado Design Suite User Guide: Designing with IP* (UG896) [Ref 6].

Example Design

This chapter contains information about the example design provided in the Vivado® Design Suite.

Overview

The top module instantiates all components of the core and example design that are needed to implement the design in hardware, as shown in [Figure 5-1](#). This includes the clock generator (MMCME2), register configuration, data generator and data checker modules.

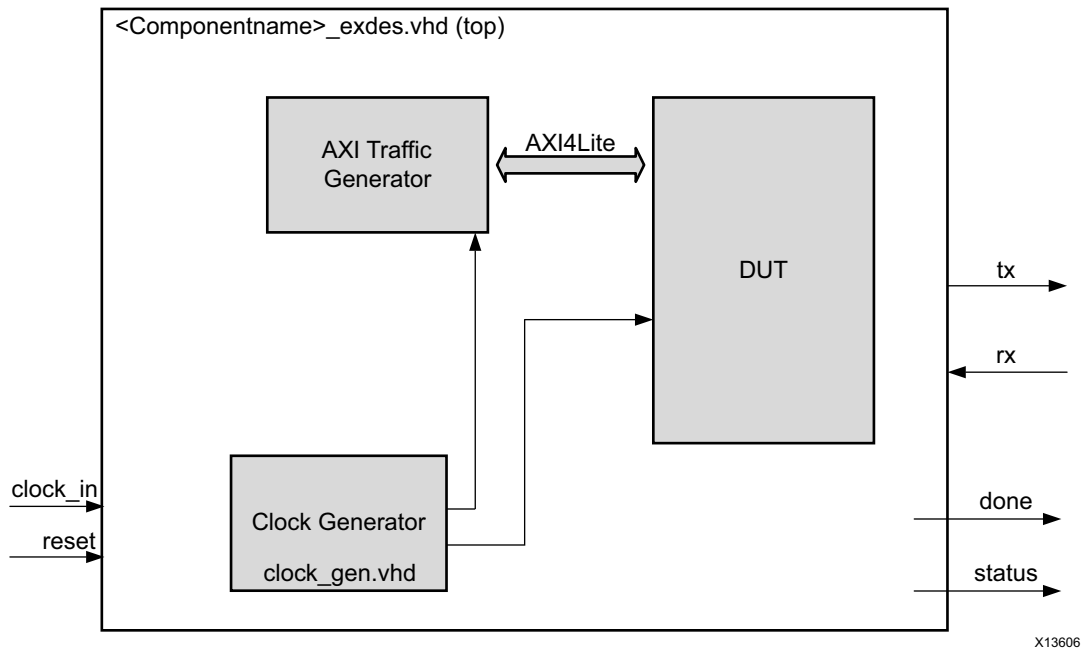


Figure 5-1: Example Design Block Diagram

This example design includes two modules:

- **Clock Generator:** MMCME2 is used to generate the clocks for the example design. MMCME2 is used to generate the 100 MHz clock for `s_axi_aclk`. The DUT and other modules of the example design are kept under reset until MMCME2 is locked.

- **AXI Traffic Generator (ATG):** This module is configured in System Test mode. All the AXI UART Lite-related AXI4-Lite transactions are stored in the COE/MIF file. For more information on the AXI Traffic Generator, see the *AXI Traffic Generator Product Guide* (PG125) [Ref 8]. The ATG automatically starts the AXI4-Lite transaction after coming out of reset.

Implementing the Example Design

After following the steps described in [Chapter 4, Customizing and Generating the Core](#), implement the example design as follows:

1. Right-click the core in the Hierarchy window, and select **Open IP Example Design**.
2. A new window pops up, asking you to specify a directory for the example design. Select a new directory, or keep the default directory.
3. A new project is automatically created in the selected directory and opened in a new Vivado window.
4. In the Flow Navigator (left side pane), click **Run Implementation** and follow the directions.

The ATG writes 0x41 to tx_fifo of AXI UART Lite. The serial port of the KC705 board should be connected to your PC. You can open the serial port terminal to check if the character "A" is displayed or not. Upon successful ATG transactions, the character "A" is displayed in the serial port terminal. If there is an error, the character "A" is not displayed.

Example Design Directory Structure

In the current project directory, a new project with name `<component_name>_example` is created and the files are delivered to `<component_name>_example/<component_name>_example.srcs`. This directory and its subdirectories contain all the source files required to create the AXI UART Lite controller example design.

[Table 5-1](#) lists the files delivered in `<component_name>_example/<component_name>_example.srcs/sources_1/imports/example_design`.

Table 5-1: Example Design Directory

Name	Description
<code><component_name>_exdes.vhd</code>	Top-level HDL file for the example design.
<code>clock_gen.vhd</code>	Clock generation module for example design.
<code>atg_addr.coe</code>	COE file of address. This file contains the AXI UART Lite register address.

Table 5-1: Example Design Directory (Cont'd)

Name	Description
atg_data.coe	COE file of data. This file contains the data to be written/read from the AXI UART Lite registers.
atg_mask.coe	COE file to mask certain reads.
atg_ctrl.coe	COE file that contains control information of ATG.

The `<component_name>_example/<component_name>_example.srcs/sources_1/sim_1/imports/simulation` directory contains the test bench file for the example design: `<component_name>_exdes_tb.vhd`.

The `<component_name>_example/<component_name>_example.srcs/sources_1/constrs_1/imports/example_design` directory contains the top-level constraints file for the example design: `<component_name>_exdes.xdc`.

The XDC has all the necessary constraints needed to run the example design on the KC705 board. All the IO constraints are commented in the XDC file. Please uncomment these constraints before implementing the design on the KC705 board.

Simulating the Example Design

The AXI UART Lite example design simulates and demonstrates the behavior of the AXI Timer.

Simulation Results

The simulation script compiles the AXI Timer example design, and supporting simulation files. It then runs the simulation and checks to ensure that it completed successfully.

If test passes, the following message is displayed:

```
Test Completed Successfully
```

If the test fails or does not complete, the following message is displayed:

```
Test Failed !! Test Timed Out
```

Test Bench

This chapter contains information about the test bench provided in the Vivado® Design Suite.

Figure 6-1 shows the test bench for AXI UART Lite example design. The top-level test bench generates 200 MHz clock and drives initial reset to the example design. As shown in the diagram, test status consists of a baud rate generator and a serial-to-parallel shift register. The baud rate is automatically calculated by the user parameters inputs. When complete, a byte of data is transmitted into the shift register. The test status then checks for ASCII character "A".

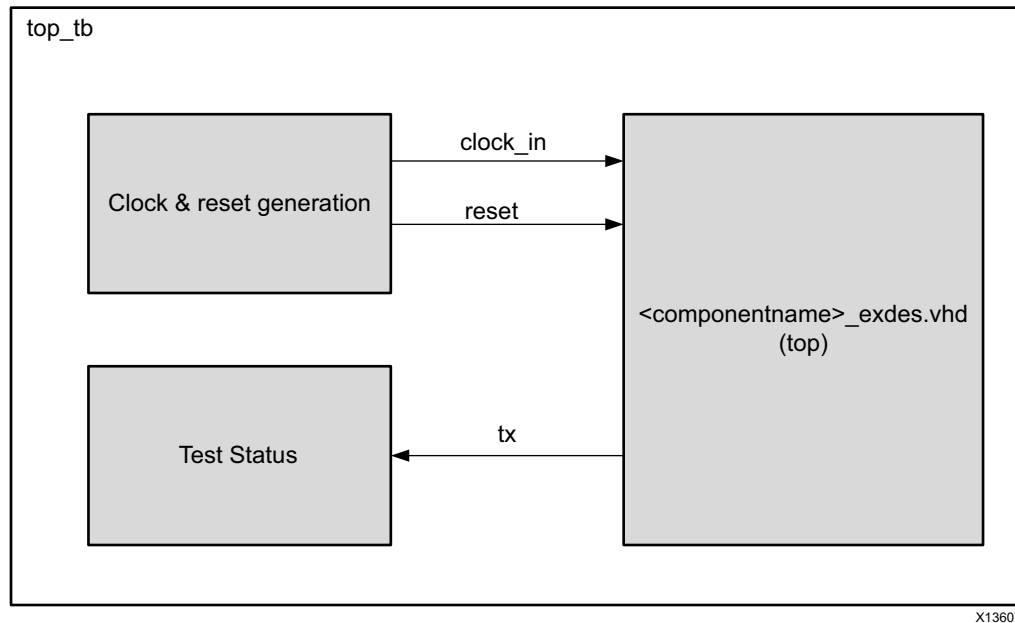


Figure 6-1: Test Bench Block Diagram

Migrating and Upgrading

This appendix contains information about migrating a design from the ISE® Design Suite to the Vivado® Design Suite, and for upgrading to a more recent version of the IP core. For customers upgrading in the Vivado Design Suite, important details (where applicable) about any port changes and other impact to user logic are included.

Migrating to the Vivado Design Suite

For information about migrating to the Vivado Design Suite, see the *ISE to Vivado Design Suite Migration Guide* (UG911) [\[Ref 10\]](#).

Upgrading in the Vivado Design Suite

This section provides information about any changes to the user logic or port designations that take place when you upgrade to a more current version of this IP core in the Vivado Design Suite.

Parameter Changes

There are no parameter changes.

Port Changes

There are no port changes.

Debugging

This appendix includes details about resources available on the Xilinx® Support website.

Finding Help on Xilinx.com

To help in the design and debug process when using the AXI UART Lite, the [Xilinx Support web page](#) (Xilinx Support web page) contains key resources such as product documentation, release notes, answer records, information about known issues, and links for obtaining further product support.

Documentation

This product guide is the main document associated with the AXI UART Lite. This guide, along with documentation related to all products that aid in the design process, can be found on the Xilinx Support web page or by using the Xilinx Documentation Navigator.

Download the Xilinx Documentation Navigator from the [Downloads page](#). For more information about this tool and the features available, open the online help after installation.

Answer Records

Answer Records include information about commonly encountered problems, helpful information on how to resolve these problems, and any known issues with a Xilinx product. Answer Records are created and maintained daily ensuring that users have access to the most accurate information available.

Answer Records for this core can be located by using the Search Support box on the main [Xilinx support web page](#). To maximize your search results, use proper keywords such as

- Product name
- Tool message(s)
- Summary of the issue encountered

A filter search is available after results are returned to further target the results.

Master Answer Record for the **AXI UART Lite**

AR: [54421](#)

Technical Support

Xilinx provides technical support in the Xilinx Support web page for this LogiCORE™ IP product when used as described in the product documentation. Xilinx cannot guarantee timing, functionality, or support if you do any of the following:

- Implement the solution in devices that are not defined in the documentation.
- Customize the solution beyond that allowed in the product documentation.
- Change any section of the design labeled DO NOT MODIFY.

To contact Xilinx Technical Support, navigate to the [Xilinx Support web page](#).

Vivado Design Suite Debug Feature

The Vivado® Design Suite debug feature inserts logic analyzer and virtual I/O cores directly into your design. The debug feature also allows you to set trigger conditions to capture application and integrated block port signals in hardware. Captured signals can then be analyzed. This feature in the Vivado IDE is used for logic debugging and validation of a design running in Xilinx FPGA devices.

The Vivado logic analyzer is used to interact with the logic debug LogiCORE IP cores, including:

- ILA 2.0 (and later versions)
 - VIO 2.0 (and later versions)
-

Hardware Debug

Hardware issues can range from link bring-up to problems seen after hours of testing. This section provides debug steps for common issues. The Vivado lab tools are valuable resource to use in hardware debug. The signal names mentioned in the following individual sections can be probed using the Vivado lab tools for debugging the specific problems.

Additional Resources and Legal Notices

Xilinx Resources

For support resources such as Answers, Documentation, Downloads, and Forums, see [Xilinx® Support](#).

References

These documents provide supplemental material useful with this product guide:

1. [AMBA® AXI4-Stream Protocol Specification](#)
2. *LogiCORE IP AXI4-Lite IPIF* ([DS765](#))
3. *7 Series FPGAs Overview* ([DS180](#))
4. *AXI Reference Guide* ([UG761](#))
5. *Vivado® Design Suite User Guide: Designing IP Subsystems using IP Integrator* ([UG994](#))
6. *Vivado Design Suite User Guide: Designing with IP* ([UG896](#))
7. *Vivado Design Suite User Guide: Getting Started* ([UG910](#))
8. *AXI Traffic Generator Product Guide* ([PG125](#))
9. *Vivado Design Suite User Guide: Logic Simulation* ([UG900](#))
10. *ISE® to Vivado Design Suite Migration Methodology Guide* ([UG911](#))

Revision History

The following table shows the revision history for this document.

Date	Version	Revision
04/05/2017	2.0	<ul style="list-style-type: none"> Added description about the constraints that may be needed.
10/05/2016	2.0	<ul style="list-style-type: none"> Added a note in Register Space section under Chapter 2, Product Specification. Updated in Please Read: Important Legal Notices section
11/18/2015	2.0	Added support for UltraScale+ families.
04/02/2014	2.0	<ul style="list-style-type: none"> Updated resources information. Minor updates and corrections.
12/18/2013	2.0	<ul style="list-style-type: none"> Added support for UltraScale Architecture.
10/02/2013	2.0	<ul style="list-style-type: none"> Added the Example Design and Test Bench chapters. Added the Migrating and Updating appendix. Added support for IP Integrator.
03/20/2013	1.0	Initial release as a product guide. This document is derived from DS741.

Please Read: Important Legal Notices

The information disclosed to you hereunder (the "Materials") is provided solely for the selection and use of Xilinx products. To the maximum extent permitted by applicable law: (1) Materials are made available "AS IS" and with all faults, Xilinx hereby DISCLAIMS ALL WARRANTIES AND CONDITIONS, EXPRESS, IMPLIED, OR STATUTORY, INCLUDING BUT NOT LIMITED TO WARRANTIES OF MERCHANTABILITY, NON-INFRINGEMENT, OR FITNESS FOR ANY PARTICULAR PURPOSE; and (2) Xilinx shall not be liable (whether in contract or tort, including negligence, or under any other theory of liability) for any loss or damage of any kind or nature related to, arising under, or in connection with, the Materials (including your use of the Materials), including for any direct, indirect, special, incidental, or consequential loss or damage (including loss of data, profits, goodwill, or any type of loss or damage suffered as a result of any action brought by a third party) even if such damage or loss was reasonably foreseeable or Xilinx had been advised of the possibility of the same. Xilinx assumes no obligation to correct any errors contained in the Materials or to notify you of updates to the Materials or to product specifications. You may not reproduce, modify, distribute, or publicly display the Materials without prior written consent. Certain products are subject to the terms and conditions of Xilinx's limited warranty, please refer to Xilinx's Terms of Sale which can be viewed at <https://www.xilinx.com/legal.htm#tos>; IP cores may be subject to warranty and support terms contained in a license issued to you by Xilinx. Xilinx products are not designed or intended to be fail-safe or for use in any application requiring fail-safe performance; you assume sole risk and liability for use of Xilinx products in such critical applications, please refer to Xilinx's Terms of Sale which can be viewed at <https://www.xilinx.com/legal.htm#tos>.

AUTOMOTIVE APPLICATIONS DISCLAIMER

AUTOMOTIVE PRODUCTS (IDENTIFIED AS "XA" IN THE PART NUMBER) ARE NOT WARRANTED FOR USE IN THE DEPLOYMENT OF AIRBAGS OR FOR USE IN APPLICATIONS THAT AFFECT CONTROL OF A VEHICLE ("SAFETY APPLICATION") UNLESS THERE IS A SAFETY CONCEPT OR REDUNDANCY FEATURE CONSISTENT WITH THE ISO 26262 AUTOMOTIVE SAFETY STANDARD ("SAFETY DESIGN"). CUSTOMER SHALL, PRIOR TO USING OR DISTRIBUTING ANY SYSTEMS THAT INCORPORATE PRODUCTS, THOROUGHLY TEST SUCH SYSTEMS FOR SAFETY PURPOSES. USE OF PRODUCTS IN A SAFETY APPLICATION WITHOUT A SAFETY DESIGN IS FULLY AT THE RISK OF CUSTOMER, SUBJECT ONLY TO APPLICABLE LAWS AND REGULATIONS GOVERNING LIMITATIONS ON PRODUCT LIABILITY.

© Copyright 2013–2017 Xilinx, Inc. Xilinx, the Xilinx logo, Artix, ISE, Kintex, Spartan, Virtex, Vivado, Zynq, and other designated brands included herein are trademarks of Xilinx in the United States and other countries. AMBA, AMBA Designer, ARM, ARM1176JZ-S, CoreSight, Cortex, and PrimeCell are trademarks of ARM in the EU and other countries. All other trademarks are the property of their respective owners.